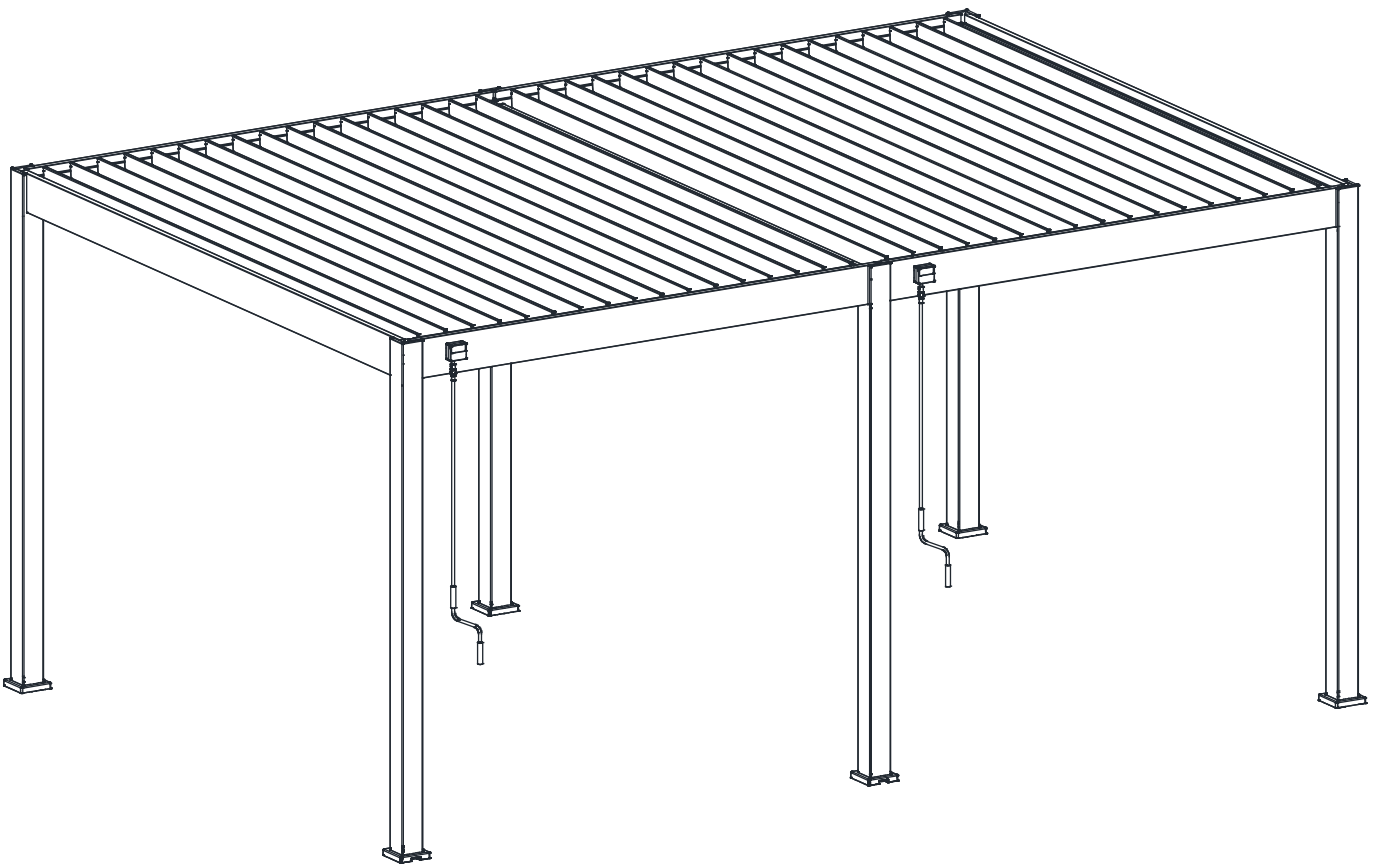
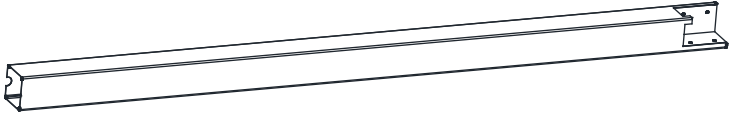
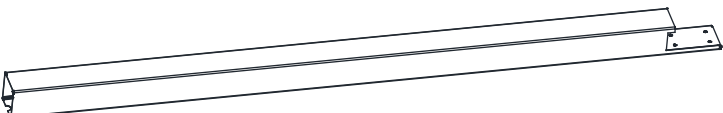
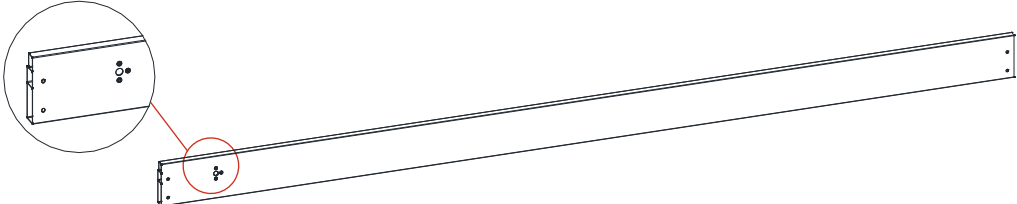
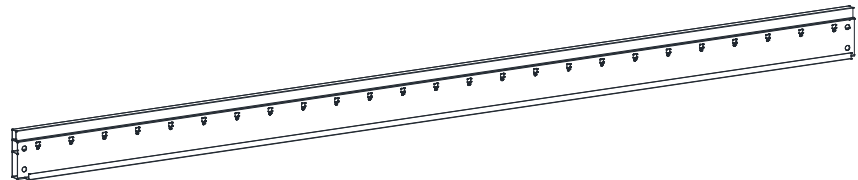
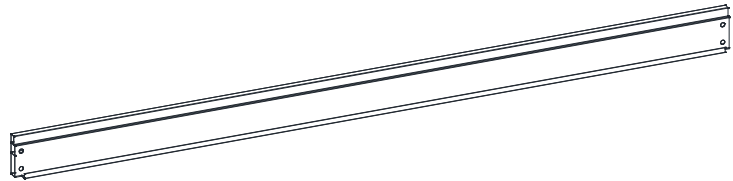
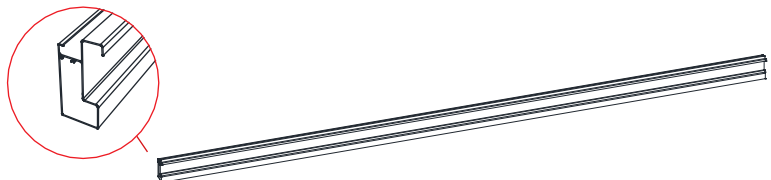
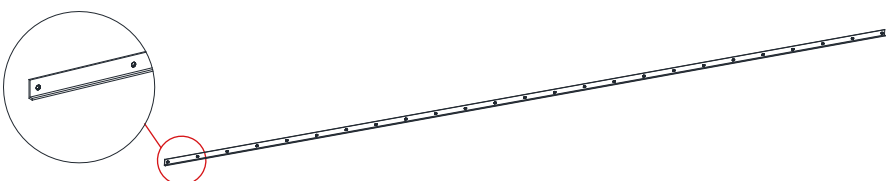
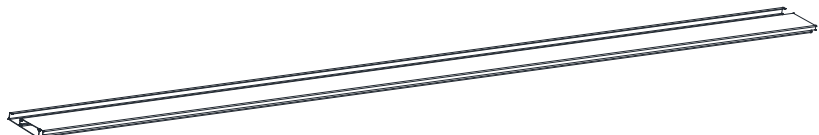



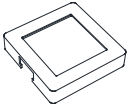
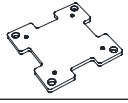
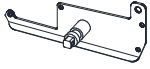
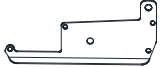
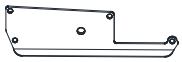

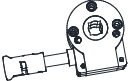
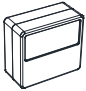

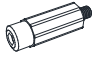
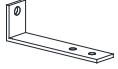



















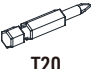
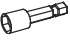
# Installation Guide for Pergola 3.6m x 5.3m



Carton	RET	QTY		REF	QTY		REF	QTY
1/6	(A0)	4		(A0-1)	2		(I0)	6
	(J0)	6		(T0)	24		(X0-1)	24
2/6	(B0-1)	2		(B0-2)	2		(C0)	2
	(E0)	1		(F0)	2		(H0)	2
	(N0)	2		(O0)	2		(P0)	2
	(Q0)	24		(Q0-1)	2		(R0)	24
	(S0)	68		(U0)	100		(U0-1)	34
	(V0)	102		(W0-1)	2		(X0)	66
	(X0-2)	34		(Y0)	6		(Z0-1)	1
	(Z0-2)	1		(Z0-3)	1		(Z0-4)	1
	(Z0-5)	1		(Z0-6)	1		(Z0-7)	1
3/6	(G0)	7		(K0)	2		(L0)	32
	(L0-1)	34		(M0)	66		(W0)	276
4/6	(G0)	9						
5/6	(G0)	9						
6/6	(G0)	9						

REF	PICTURE	QTY
A0		4PCS
A0-1		2PCS
B0-1		2PCS
B0-2		2PCS
C0		2PCS
E0		1PCS
F0		2PCS
G0		34PCS
H0		2PCS

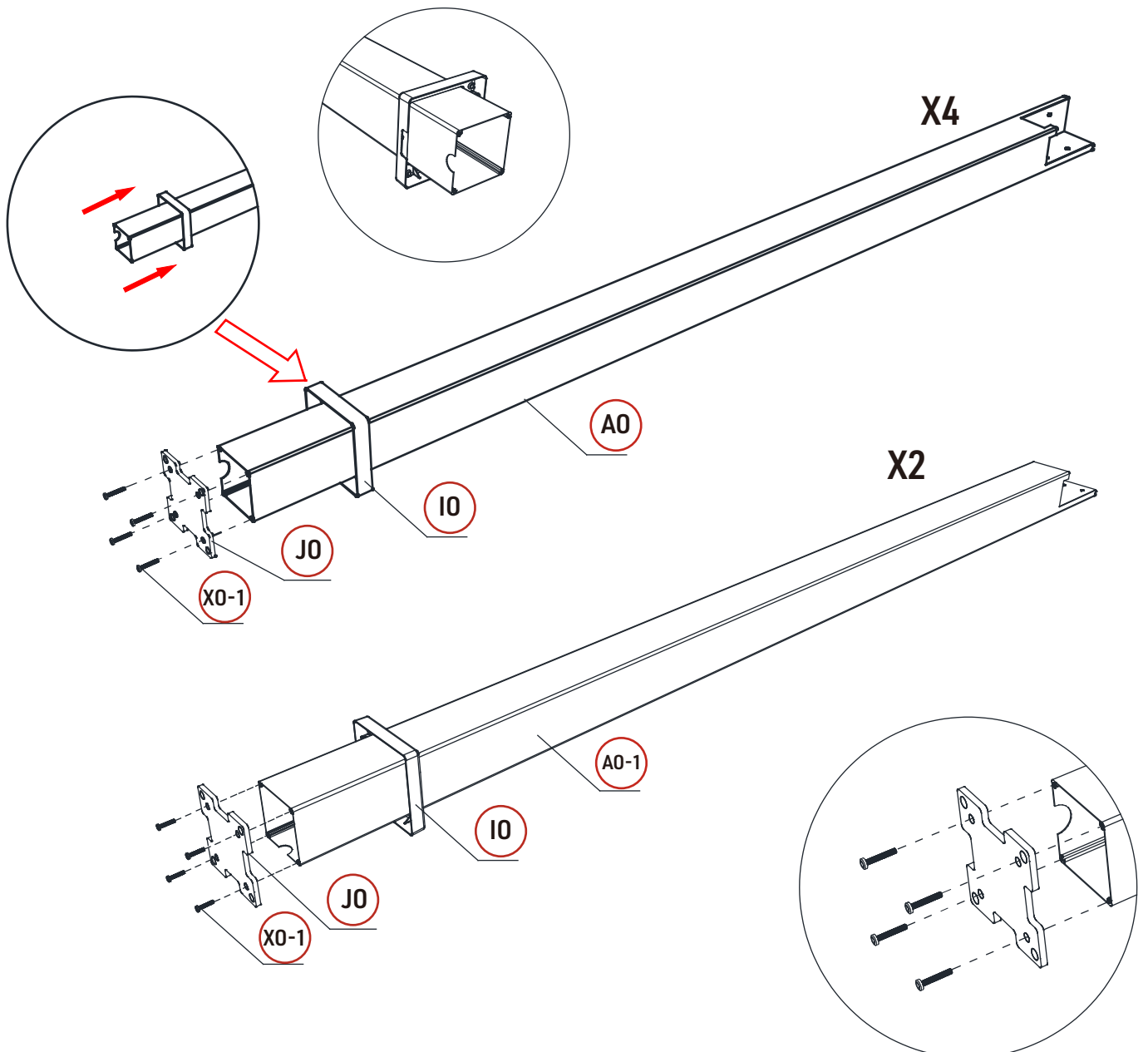
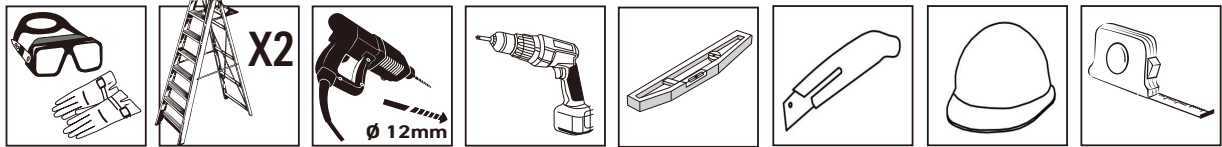
REF	PICTURE	QTY
IO		6PCS
JO		6PCS
KO		2PCS
LO		32PCS
LO-1		34PCS
MO		66PCS
NO		2PCS
OO		2PCS
PO		2PCS
QO		24PCS
QO-1		2PCS
RO		24PCS
SO		68PCS
TO	 8X80	24PCS
UO	 lock nut	100PCS

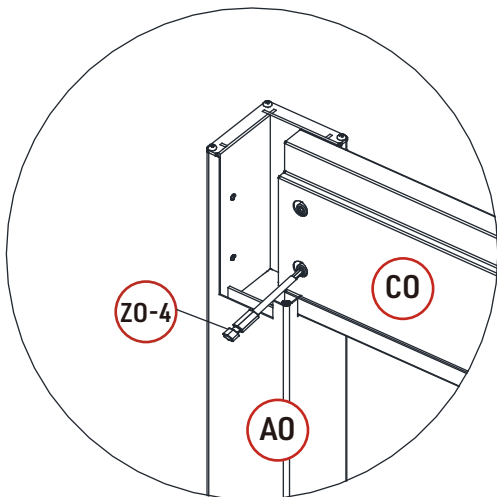
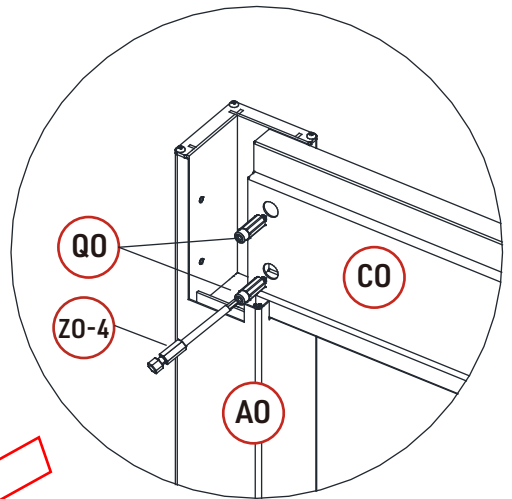
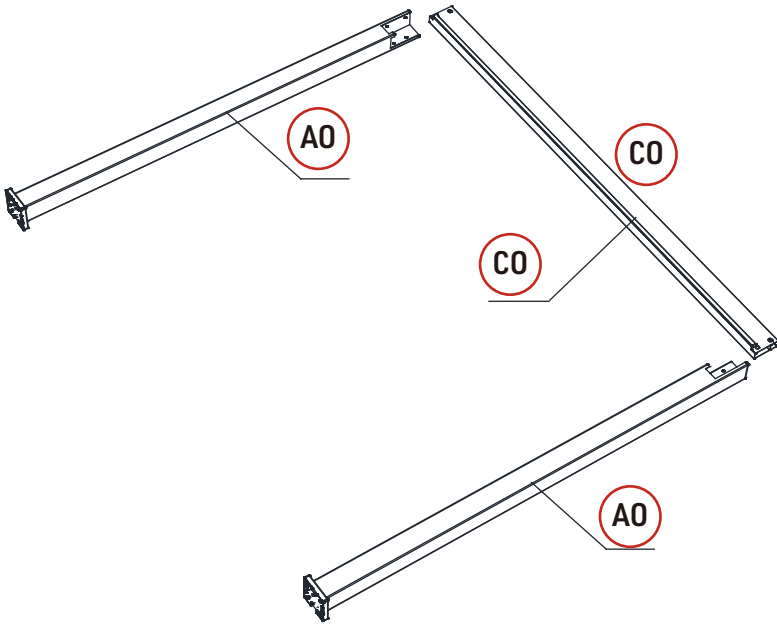
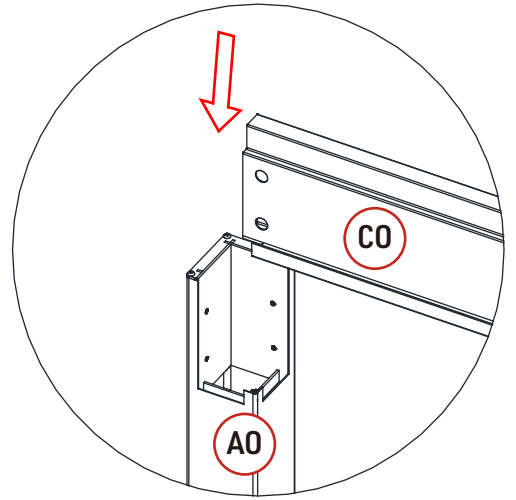
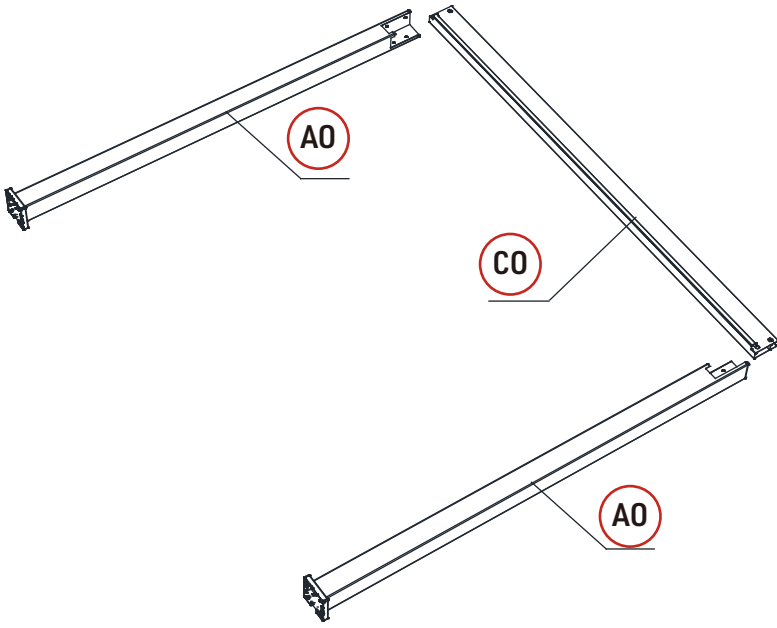
REF	PICTURE	QTY
UO-1	 plastic nut	34PCS
VO		102PCS
WO	 4X16	276PCS
WO-1	 5X19	2PCS
XO	 6X40	66PCS
XO-1	 6X35	24PCS
XO-2	 6X20	34PCS
YO	 6X45	6PCS
ZO-1	 4mm	1PCS
ZO-2	 4mm	1PCS
ZO-3	 6mm	1PCS
ZO-4	 6mm	1PCS
ZO-5	 10mm	1PCS
ZO-6	 T20	1PCS
ZO-7		1PCS

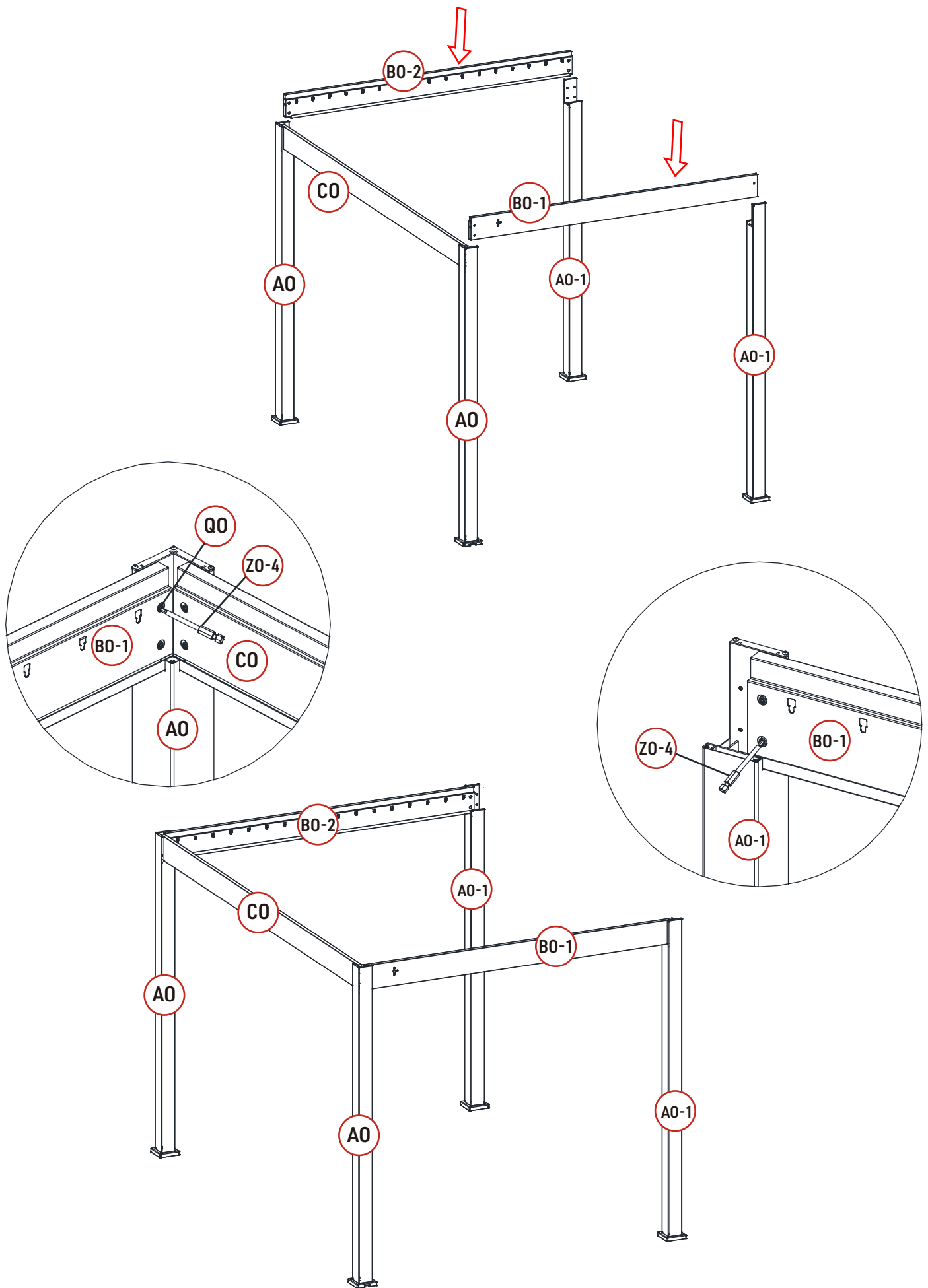
# ATTENTION!!!

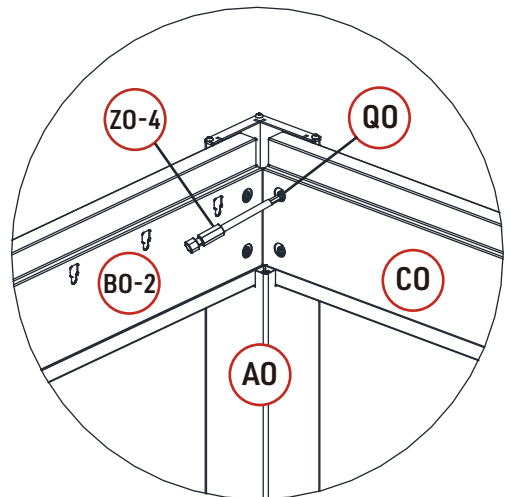
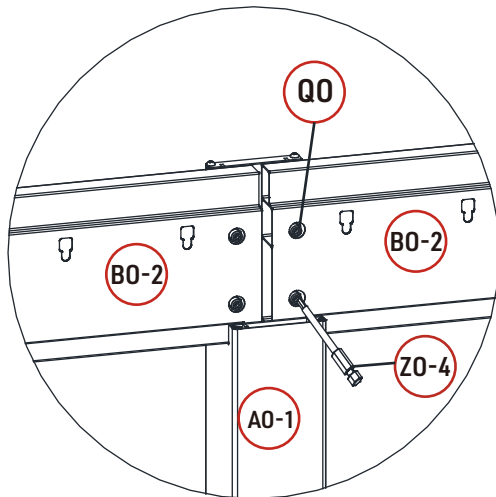
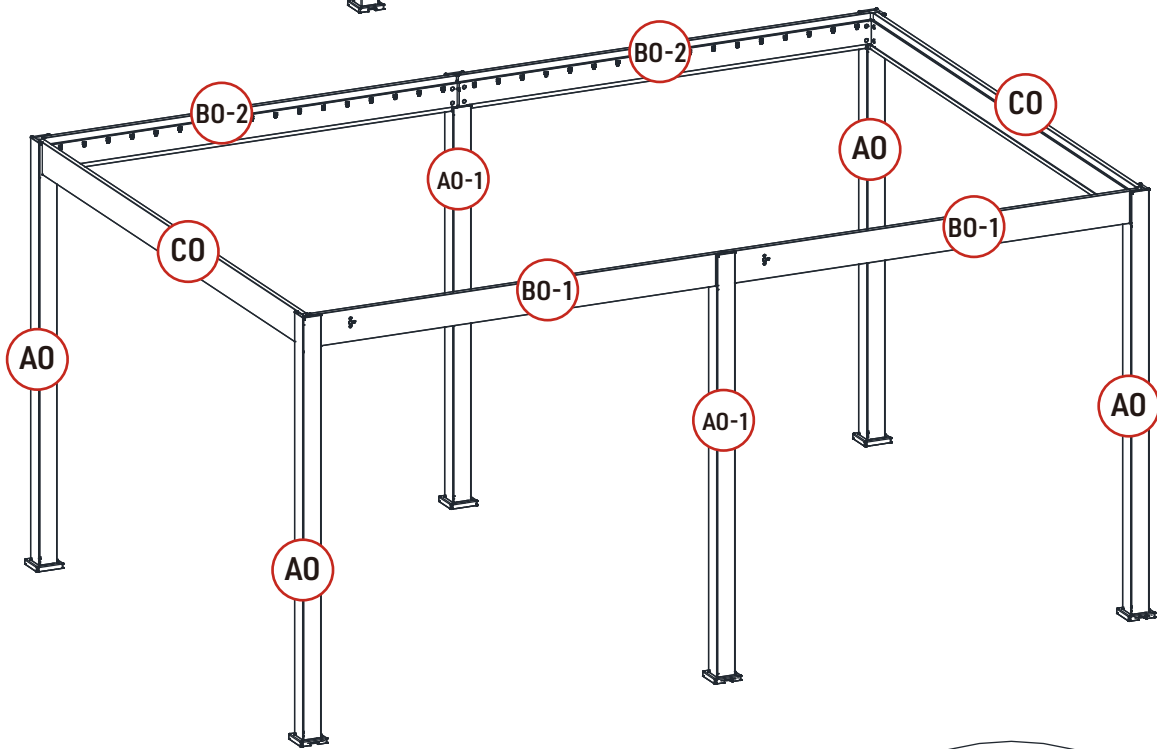
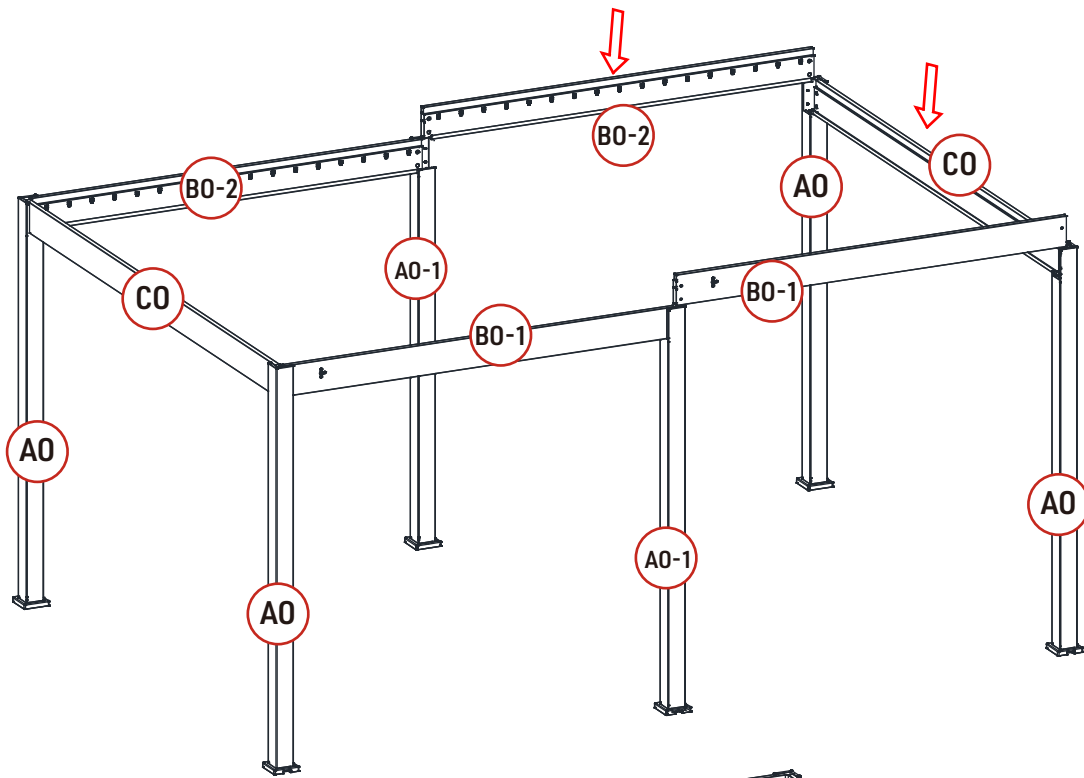
Please open the louvers to vertical in winter and snowing weather to protect your pergola!

## Tools Required for Installation

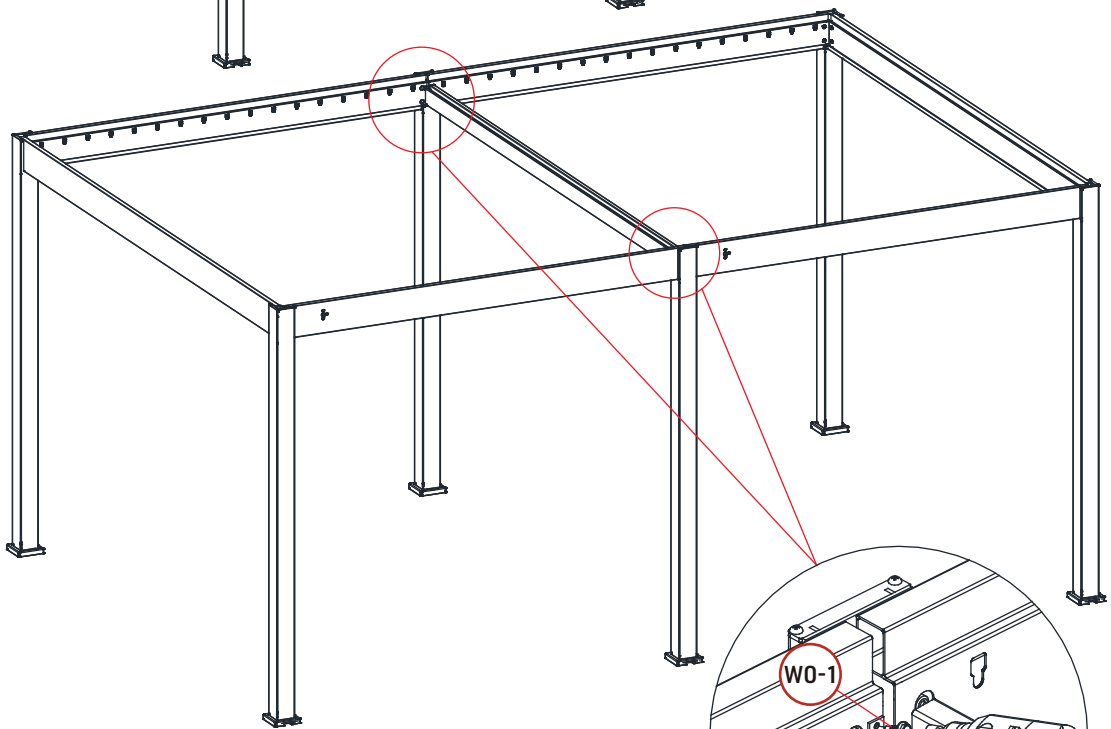
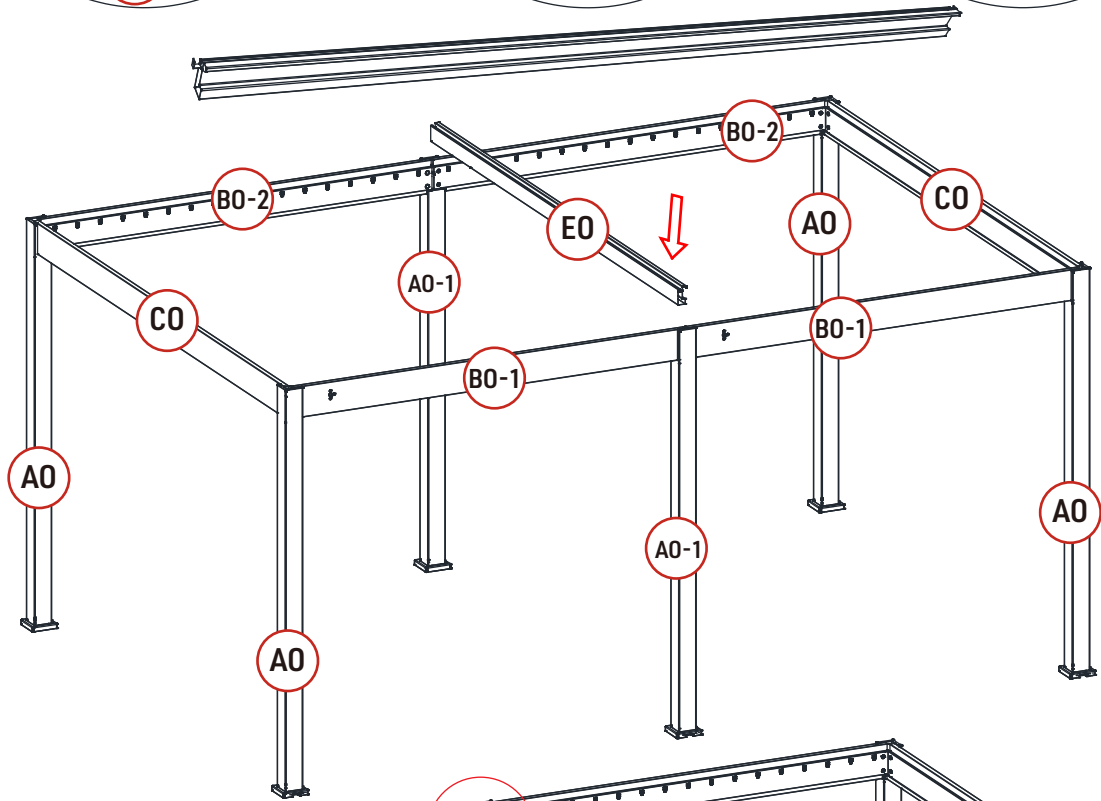
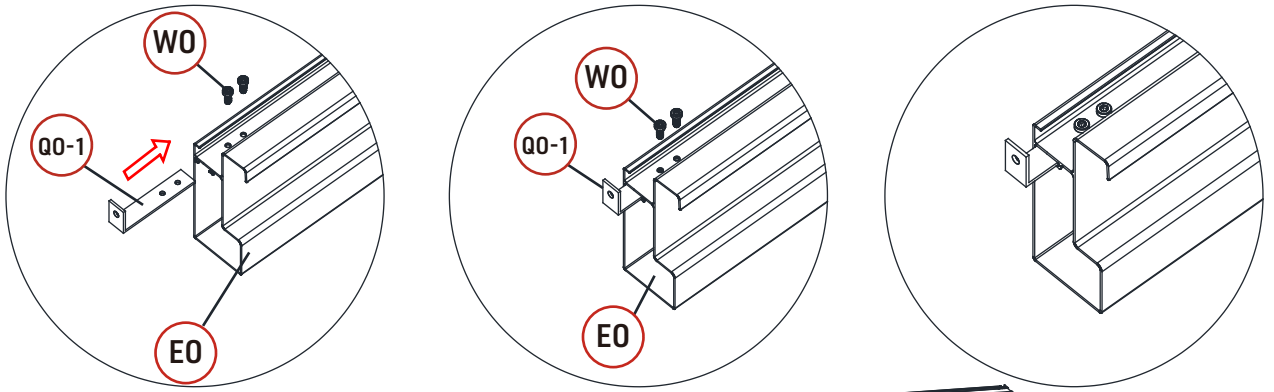




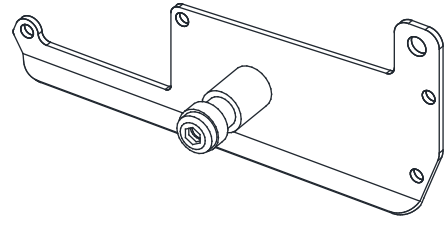
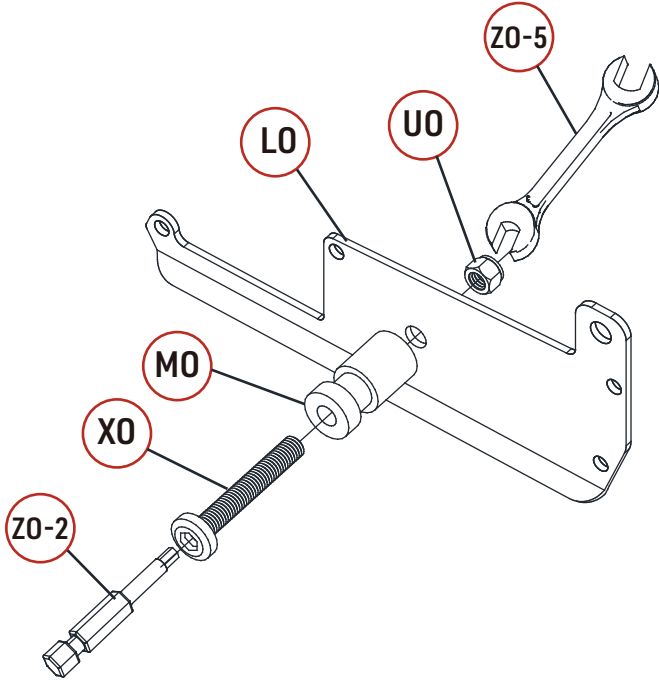
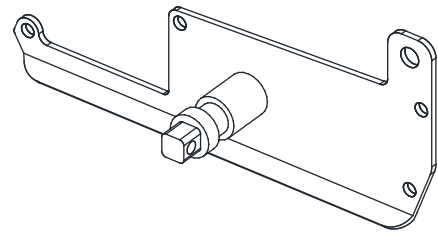




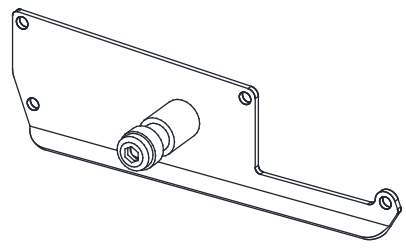
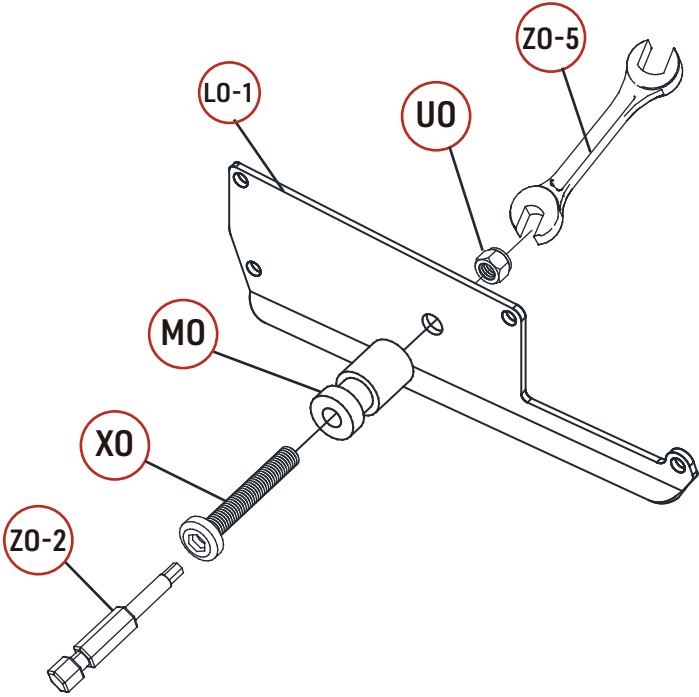




 **K0 X2**

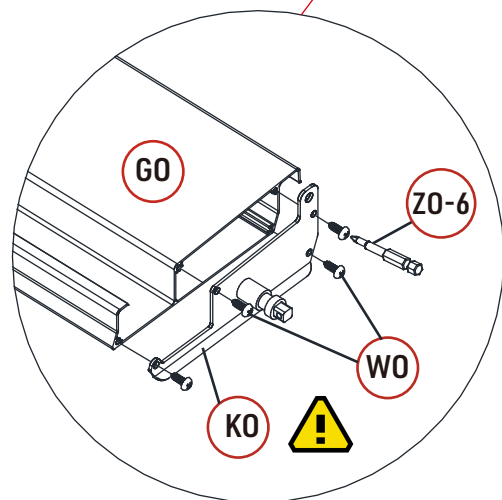
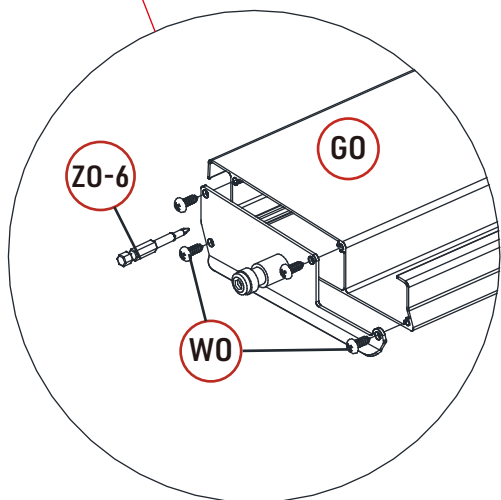


**X32**



**X34**

# X2



# X32

